

# FUTEK MODEL LCF400 (L2920)

# TENSION AND COMPRESSION LOAD CELL

Drawing Number: FI1043-A

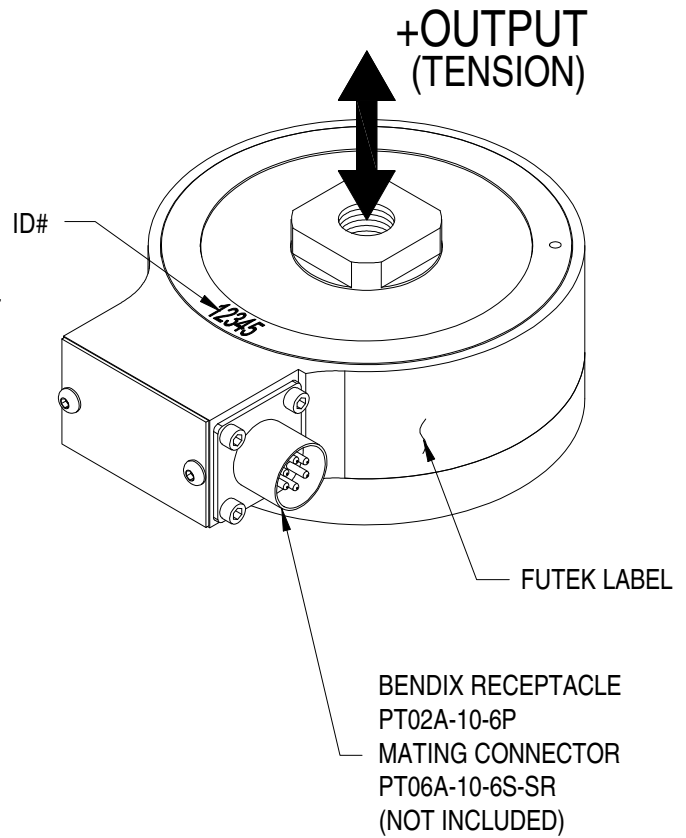
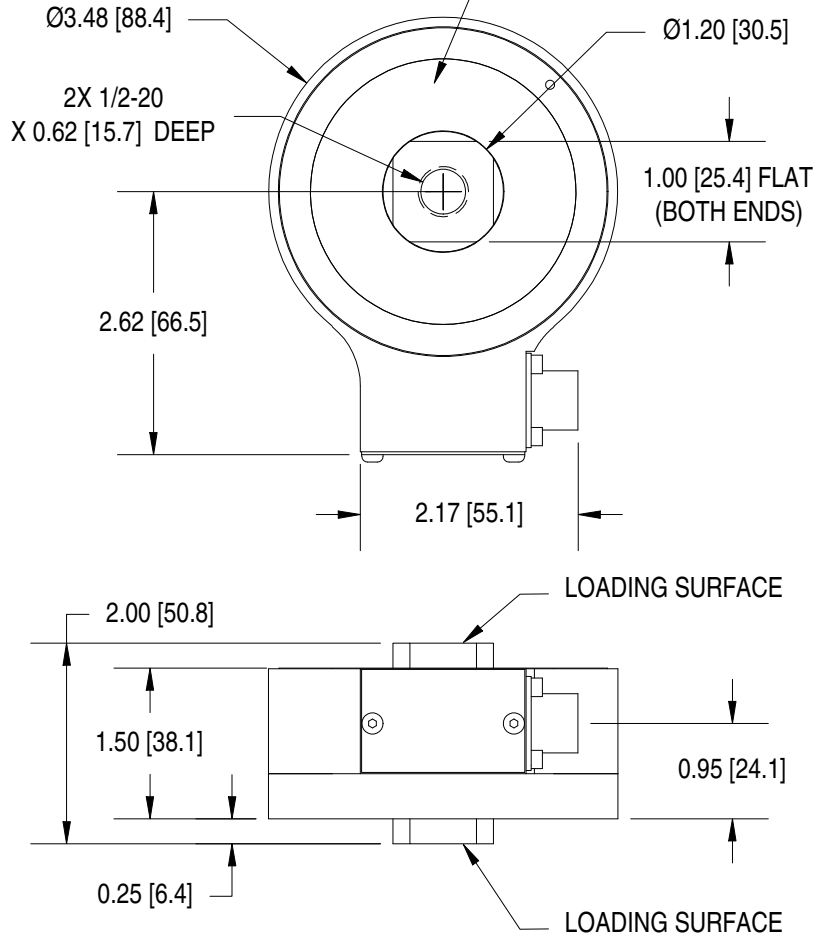
REPLACEMENT FOR LEBOW MODEL 3132

INCH [mm] R.O.= Rated Output

WIRING CODE (CC2)

|                |                  |                  |                  |
|----------------|------------------|------------------|------------------|
| +Excitation    | -Excitation      | +Signal          | -Signal          |
| RED<br>PIN 'A' | BLACK<br>PIN 'D' | GREEN<br>PIN 'B' | WHITE<br>PIN 'C' |

NON LOADING SURFACES DO NOT CONTACT



## SPECIFICATIONS:

|   |   |
|---|---|
| <b>RATED OUTPUT</b>                                     | 3 mV/V nom.                             |
| <b>SAFE OVERLOAD</b>                                    | 150% of R.O.                            |
| <b>ZERO BALANCE</b>                                     | ±1% of R.O.                             |
| <b>EXCITATION (VDC OR VAC)</b>                          | 18 MAX                                  |
| <b>BRIDGE RESISTANCE</b>                                | 700Ω nom.                               |
| <b>NONLINEARITY</b>                                     | ±0.1% of R.O.                           |
| <b>HYSTERESIS</b>                                       | ±0.1% of R.O.                           |
| <b>NONREPEATABILITY</b>                                 | ±0.05% of R.O.                          |
| <b>TEMP. SHIFT ZERO</b>                                 | ±0.002% of R.O./°F [0.0036% of R.O./°C] |
| <b>TEMP. SHIFT SPAN</b>                                 | ±0.002% of LOAD/°F [0.0036% of LOAD/°C] |
| <b>COMPENSATED TEMP.</b>                                | 60 to 160°F [15 to 71°C]                |
| <b>OPERATING TEMP.</b>                                  | -65 to 200°F [-54 to 93°C]              |
| <b>WEIGHT</b>   | approx. 3 lb [1.4 Kg]                   |
| <b>MATERIAL</b>   | Stainless Steel                         |
| <b>DEFLECTION</b>                                       | 0.002 to 0.005 [0.05 to 0.13] nom.      |
| <b>CONNECTOR: 6 Pin BENDIX Receptacle (PT02A-10-6P)</b> |   |
| <b>ACCESSORIES AND RELATED INSTRUMENTS AVAILABLE</b>    |   |
| <b>CALIBRATION (STD)</b>                                | 5pt. TENSION; 87.325KΩ SHUNT CAL. VALUE |
| <b>CALIBRATION (AVAILABLE)</b>                          | COMPRESSION                             |
| <b>CALIBRATION TEST EXCITATION</b>                      | 10 VDC                                  |

| Stock #  | Capacity (lb) | Capacity (N) |
|----------|---------------|--------------|
| FSH00119 | 250           | 1112         |
| FSH00120 | 500           | 2224         |
| FSH00121 | 1000          | 4448         |
| FSH00122 | 2000          | 8896         |
| FSH00123 | 3000          | 13340        |
| FSH00124 | 5000          | 22240        |