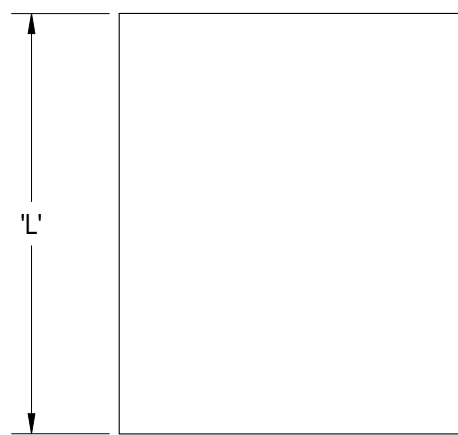
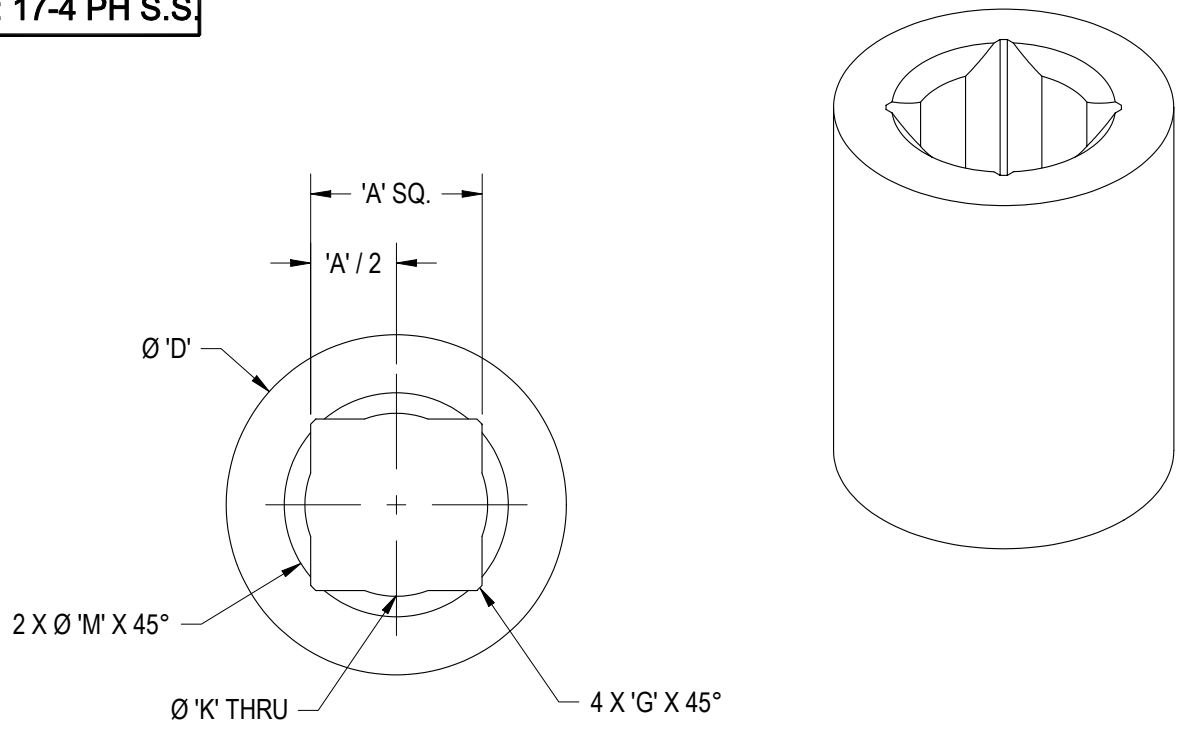


ACCESSORY

FEMALE TO FEMALE SQUARE DRIVE ADAPTER

Drawing Number: F11218

INCH [mm] | Material: 17-4 PH S.S.



STOCK#	SQ. DRIVE	'A'	'L'	'D'	'G'	'K'	'M'	MAX LOAD (in-lb)
MCP01017	1/4"	0.26 [6.5]	0.97 [24.6]	0.65 [16.5]	0.01 [0.3]	0.27 [6.7]	0.34 [8.6]	250
MCP01018	3/8"	0.38 [9.7]	1.22 [31.0]	0.90 [22.9]	0.01 [0.3]	0.41 [10.3]	0.51 [13.0]	1200
MCP01019	1/2"	0.51 [12.8]	1.34 [34.0]	1.10 [27.9]	0.02 [0.5]	0.53 [13.5]	0.68 [17.3]	3000
MCP01020	3/4"	0.76 [19.2]	1.97 [50.0]	1.50 [38.1]	0.03 [0.8]	0.81 [20.6]	1.00 [25.4]	8400
MCP01021	1"	1.01 [25.6]	2.38 [60.5]	2.12 [53.8]	0.03 [0.8]	1.02 [25.8]	1.35 [24.3]	24000