

FUTEK MODEL FBB300

PLANAR BEAM FORCE SENSOR (OEM)

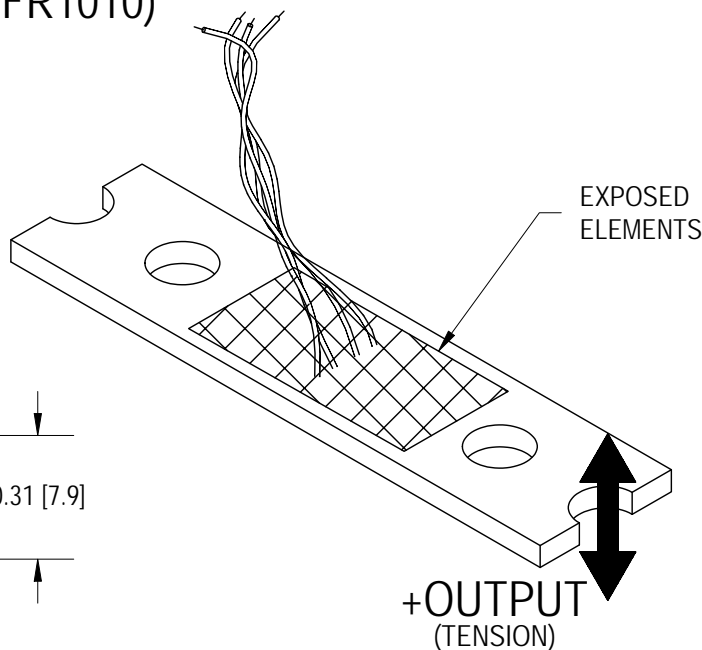
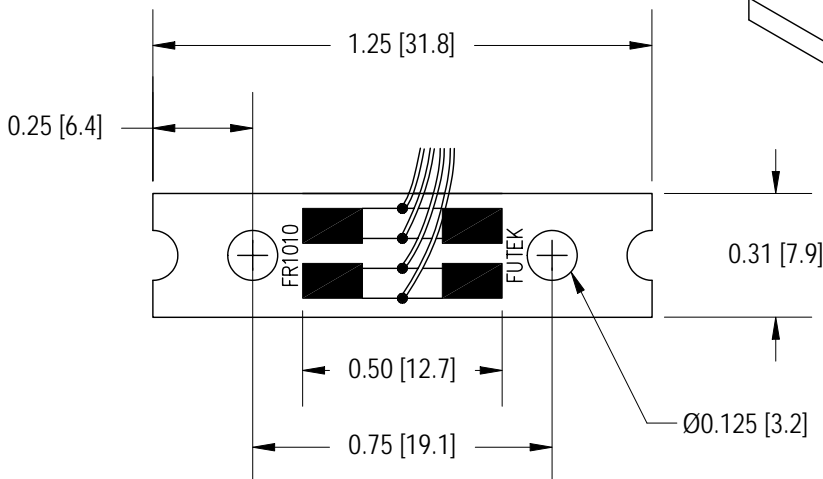
(Previously FR1010)

Drawing Number: FI1113-B

INCH [mm] | R.O.= Rated Output

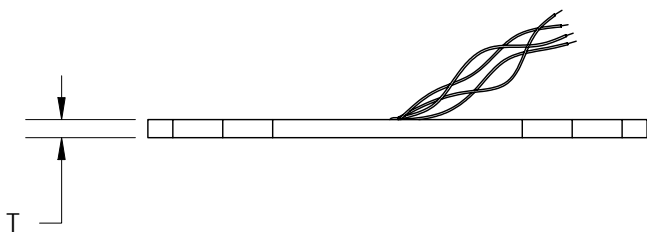
WIRING CODE (WC1)

+Excitation	-Excitation	+Signal	-Signal
RED	BLACK	GREEN	WHITE



STK#	CAPACITY lb	N	T
FSH01451	1	4.5	0.01 [0.28]
FSH01452	2	8.9	0.015 [0.39]
FSH01453	5	22.2	0.025 [0.64]
FSH01454	10	44.5	0.031 [0.76]
FSH01455	20	89	0.048 [1.22]
FSH01456	40	178	0.06 [1.52]

AVAILABLE MOUNTING KIT FOR MORE INFORMATION SEE DWG FI1114



SPECIFICATIONS:

RATED OUTPUT	2 mV/V nom.
SAFE OVERLOAD	150% of R.O.
ZERO BALANCE	±5% of R.O.
EXCITATION (VDC OR VAC)	18 MAX
BRIDGE RESISTANCE	1200±300 Ω
INSULATION RESISTANCE	1000 M ohms @ 50 VDC
COMBINED ERROR	±0.25% of R.O. } ACTUAL LEVEL OF ACCURACY
NONREPEATABILITY	±0.05% of R.O. } DEPENDS ON CLAMPING METHOD.
TEMP. SHIFT ZERO	±0.02% of R.O./°F [0.036% of R.O./°C]
TEMP. SHIFT SPAN	±0.02% of LOAD/°F [0.036% of LOAD/°C]
COMPENSATED TEMP.	60 to 160°F [15 to 72°C]
OPERATING TEMP.	-60 to 200°F [-50 to 93°C]
MATERIAL	300 SERIES S.S.
WEIGHT	0.35 oz [10 g]
DEFLECTION	0.004 to 0.010 [0.10 to 0.25] nom.
CABLE: #29 AWG, 4 Conductor, Spiral Shielded Silicone Cable 1 ft [0.3 m] Long	

