

FUTEK MODEL FBB350

PLANAR BEAM FORCE SENSOR (OEM)

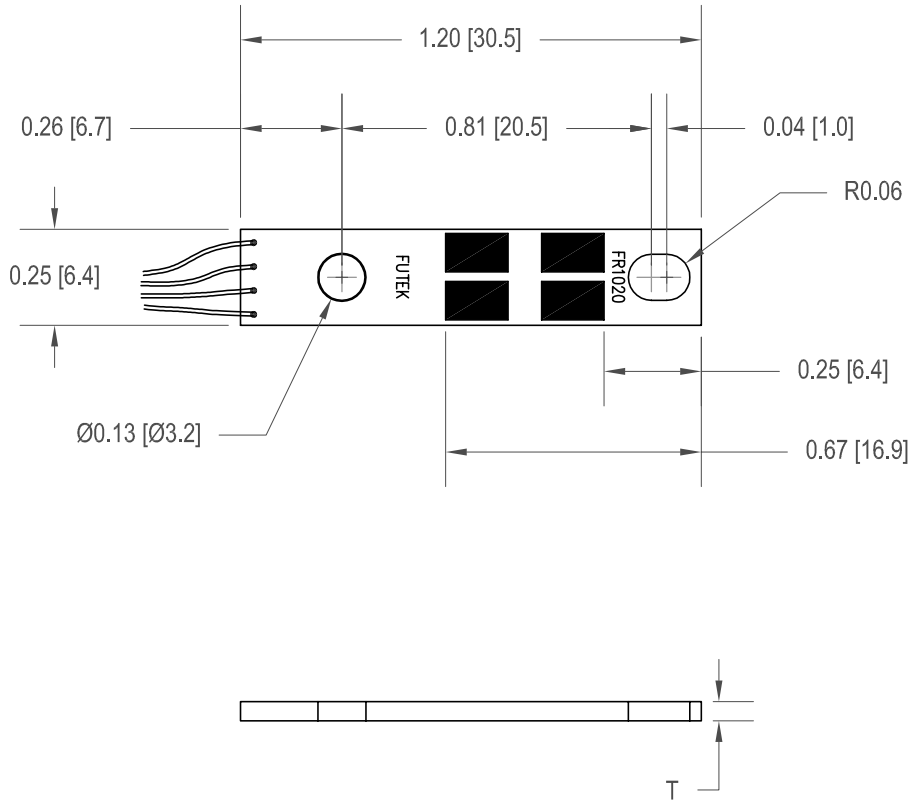
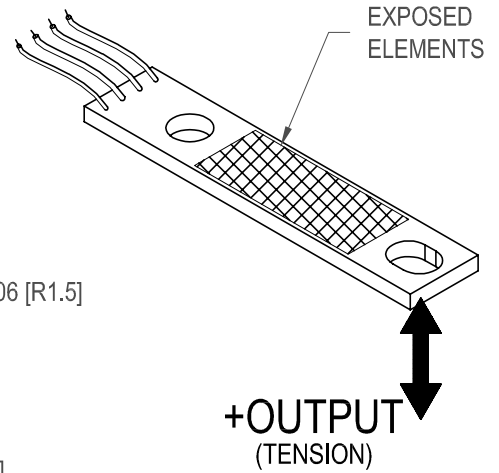
(Previously FR1020)

Drawing Number: FI1115-A

INCH [mm] | R.O.= Rated Output

WIRING CODE (WC1)

+Excitation	-Excitation	+Signal	-Signal
RED	BLACK	GREEN	WHITE

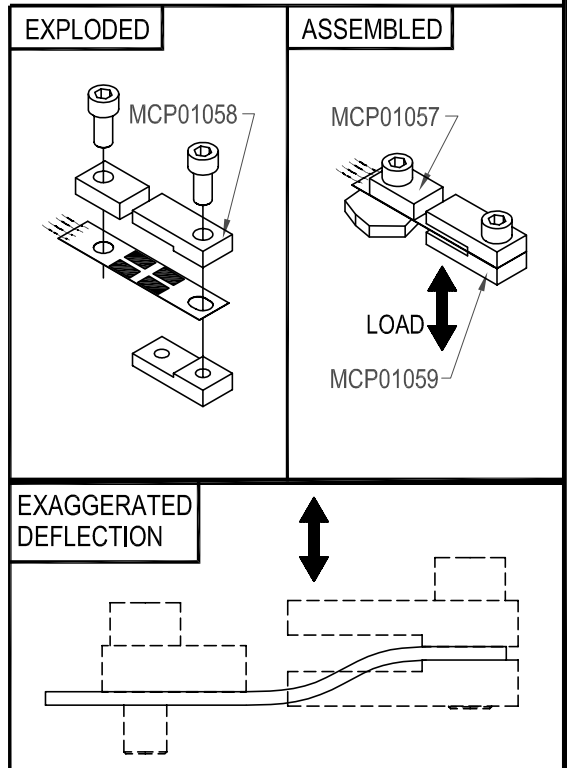


STK#	CAPACITY		T
	lb	N	
FSH01458	1 oz	0.28	0.003 [0.076]
FSH01459	1/4	1.1	0.006 [0.15]
FSH01460	1/2	2.2	0.009 [0.23]
FSH01461	1	4.5	0.010 [0.28]
FSH01462	2	8.9	0.015 [0.39]
FSH01463	20	89	0.050 [1.27]

AVAILABLE MOUNTING KIT
FOR MORE INFORMATION SEE DWG FI1116

SPECIFICATIONS:

RATED OUTPUT	2 mV/V nom.
SAFE OVERLOAD	150% of R.O.
ZERO BALANCE	±5% of R.O.
EXCITATION (VDC OR VAC)	18 MAX
BRIDGE RESISTANCE	1200 ± 300 Ω
INSULATION RESISTANCE	1000 M ohms @ 50 vdc
COMBINED ERROR	±0.25% of R.O. } ACTUAL LEVEL OF ACCURACY
NONREPEATABILITY	±0.05% of R.O. } DEPENDS ON CLAMPING METHOD.
TEMP. SHIFT ZERO	±0.02% of R.O./°F [0.036% of R.O./°C]
TEMP. SHIFT SPAN	±0.02% of LOAD/°F [0.036% of LOAD/°C]
COMPENSATED TEMP.	60 to 160°F [15 to 72°C]
OPERATING TEMP.	-60 to 200°F [-50 to 93°C]
MATERIAL	BeCu (1 oz to 1/2 lb) 300 SERIES S.S. (1 to 20 lb)
WEIGHT	0.35 oz [10 g]
DEFLECTION	0.005 to 0.015 [0.13 to 0.38] nom.
CABLE: (STD) #29 AWG, 4 Conductor, Spiral Shielded Silicone Cable 1 ft [0.3 m] Long	



FUTEK
ADVANCED SENSOR TECHNOLOGY, INC.

This drawing is submitted solely for the information and exclusive use of the original addressee. It is not to be divulged in whole or in part, by any firm or individual without written permission from FUTEK

10 THOMAS
IRVINE, CA 92618 USA
1-800-23-FUTEK (38835)

INTERNET:
<http://www.futek.com>