

# FUTEK MODEL LCA305

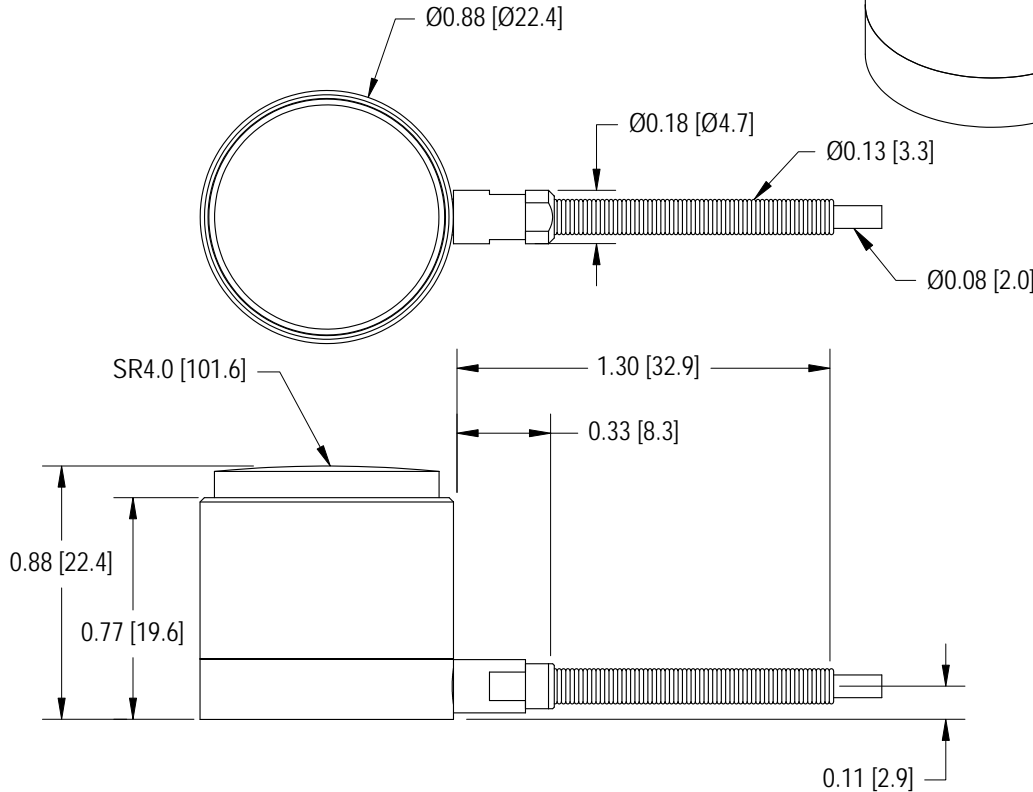
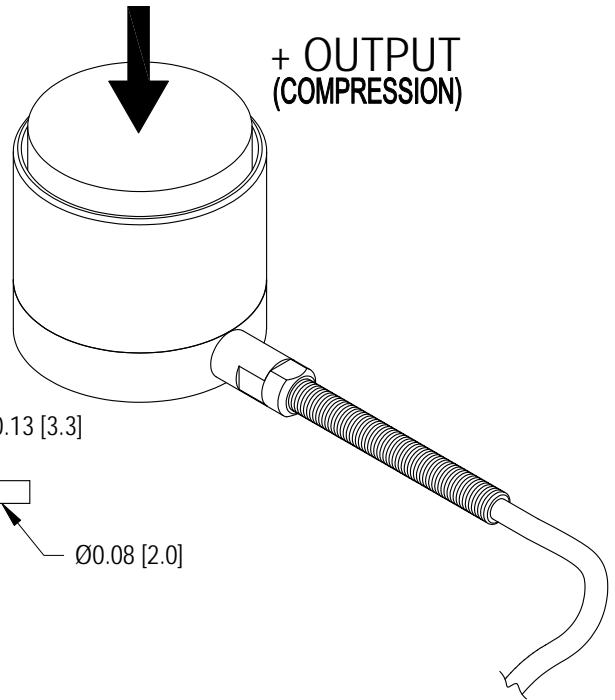
# MINIATURE LOAD COLUMN LOAD CELL (Previously L1645)

**Drawing Number: FI1169**

**INCH [mm] | R.O.= Rated Output**

WIRING CODE (WC1)

+Excitation	-Excitation	+Signal	-Signal
RED	BLACK	GREEN	WHITE



## SPECIFICATIONS:

<b>RATED OUTPUT</b>	2 mV/V nom.
<b>SAFE OVERLOAD</b>	150% of R.O.
<b>ZERO BALANCE</b>	$\pm 1\%$ of R.O.
<b>EXCITATION (VDC OR VAC)</b>	18 MAX
<b>BRIDGE RESISTANCE</b>	350 $\Omega$ nom
<b>NONLINEARITY</b>	$\pm 1\%$ of R.O.
<b>HYSTERESIS</b>	$\pm 1\%$ of R.O.
<b>NONREPEATABILITY</b>	$\pm 0.5\%$ of R.O.
<b>TEMP. SHIFT ZERO</b>	$\pm 0.01\%$ of R.O./ $^{\circ}$ F [0.018% of R.O./ $^{\circ}$ C]
<b>TEMP. SHIFT SPAN</b>	$\pm 0.02\%$ of LOAD/ $^{\circ}$ F [0.036% of LOAD/ $^{\circ}$ C]
<b>COMPENSATED TEMP.</b>	60 to 160 $^{\circ}$ F [15 to 72 $^{\circ}$ C]
<b>OPERATING TEMP.</b>	-60 to 200 $^{\circ}$ F [-50 to 93 $^{\circ}$ C]
<b>MATERIAL</b>	17-4PH S.S.
<b>DEFLECTION</b>	0.001 [0.025]
<b>CABLE: #29 AWG, 4 Conductor, Spiral Shielded Teflon Cable 10 ft [3] Long</b>	
<b>ACCESSORIES AND RELATED INSTRUMENTS AVAILABLE</b>	
<b>CALIBRATION (STD)</b>	5 pt.COMPRESSION; 60.4K $\Omega$ . SHUNT CAL. VALUE
<b>CALIBRATION TEST EXCITATION</b>	10 VDC

STK#	CAPACITIES	
	lb	N
FSH01768	7.5k	33360
FSH01769	10k	44480