



FEATURES

- Ultra low deflection
- Robust strain relief
- 17-4 PH stainless-steel construction
- For use in compression
- Utilizes metal foil strain gauge technology

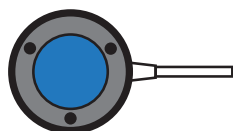
 Non-loading surface, do not contact

 Active End

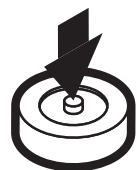
 Fixed End



Top view



Bottom view



+ Output (compression)

SPECIFICATIONS

PERFORMANCE

Nonlinearity $\pm 0.25\%$ of RO (5000 lb)
 $\pm 0.5\%$ of RO (10000 lb)

Hysteresis $\pm 0.25\%$ of RO (5000 lb)
 $\pm 0.5\%$ of RO (10000 lb)

Nonrepeatability $\pm 0.1\%$ of RO

ELECTRICAL

Rated Output (RO) 2 mV/V nom

Excitation (VDC or VAC) 18 max

Bridge Resistance 700 Ohm nom

Insulation Resistance ≥ 500 MOhm @ 50 VDC

Connection #24 AWG, 4 conductor, braided shielded Teflon cable 10 ft [3 m] long

Wiring/Connector Code WC1

MECHANICAL

Weight (approximate) 4 oz [113.4 g]

Safe Overload 150% of RO

Deflection See chart on next page

Material 17-4 PH stainless-steel

IP Rating IP64

TEMPERATURE

Operating Temperature -60 to 200°F [-50 to 93°C]

Compensated Temperature 60 to 160°F [15 to 72°C]

Temperature Shift Zero $\pm 0.01\%$ of RO/ $^{\circ}\text{F}$ [0.018% of RO/ $^{\circ}\text{C}$]

Temperature Shift Span $\pm 0.02\%$ of LOAD/ $^{\circ}\text{F}$ [0.036% of LOAD/ $^{\circ}\text{C}$]

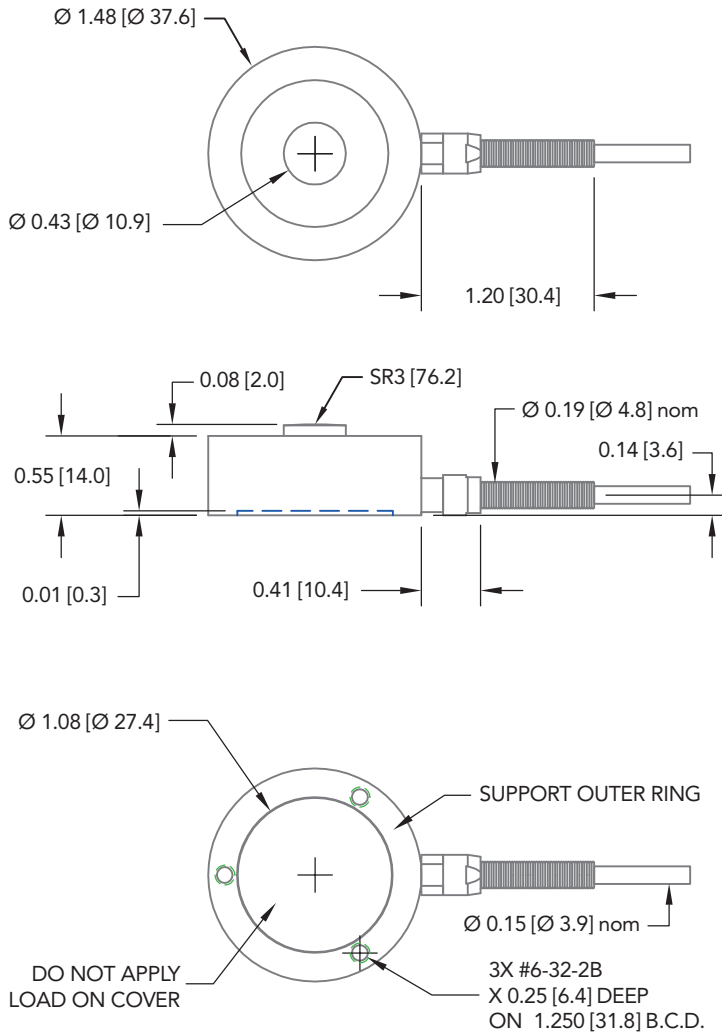
CALIBRATION

Calibration Test Excitation 10 VDC

Calibration (standard) 5-pt Compression

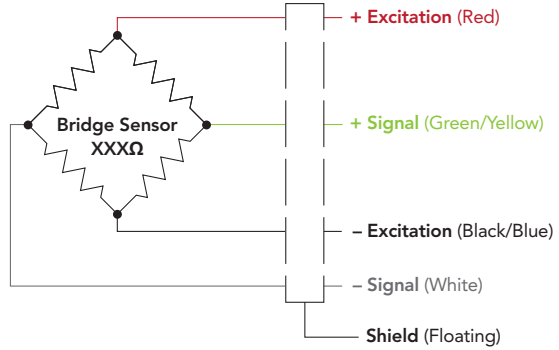
Shunt Calibration Value 100 kOhm

DIMENSIONS inches [mm]



WIRING CODE (WC1 WITH SHIELD)

RED	+ EXCITATION
BLACK	- EXCITATION
GREEN	+ SIGNAL
WHITE	- SIGNAL
SHIELD	FLOATING



CAPACITIES

ITEM #	lb	N	FZ Deflection (in)	Natural Frequency (kHz)
FSH03997	5000	22240	0.0015	25
FSH03998	10000	44480	0.0018	27.8

Drawing Number: FI1413-B

FUTEK reserves the right to modify its design and specifications without notice. Please visit www.futek.com/salesterms for complete terms and conditions.

10 Thomas, Irvine, CA 92618 USA

Tel: (949) 465-0900

Fax: (949) 465-0905

www.futek.com



RoHS



U.S. Manufacturer