

FUTEK MODEL LLW450  
ITEM# FSH00764

# FORCE/LOAD WASHER LOAD CELL (Previously L2700)

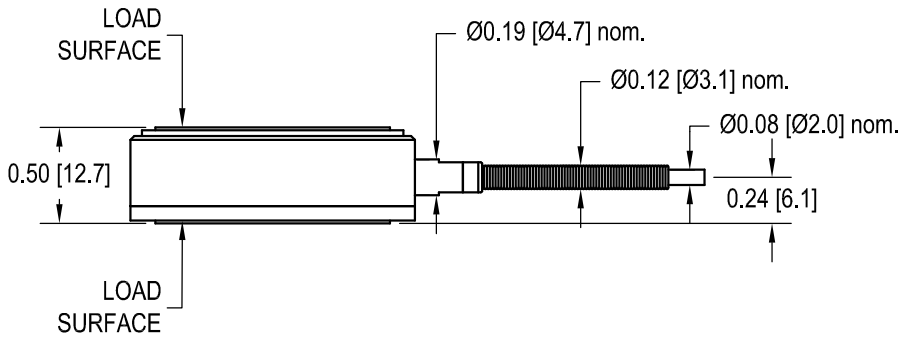
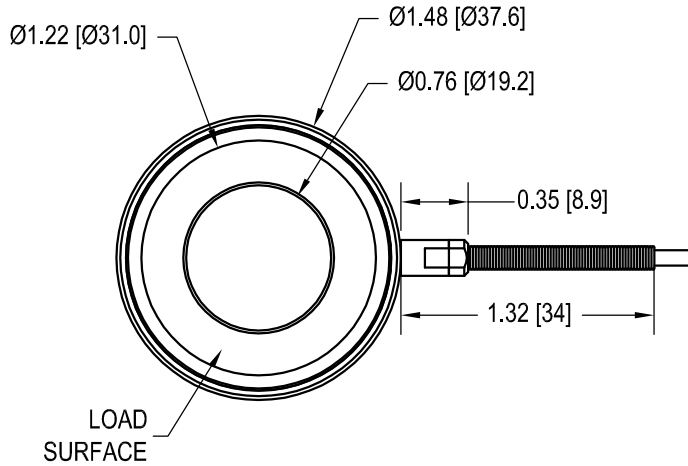
Drawing Number: FI1086-B

INCH [mm] | R.O.= Rated Output

WIRING CODE (WC1)

+Excitation	-Excitation	+Signal	-Signal
RED	BLACK	GREEN	WHITE

Shield
FLOATING

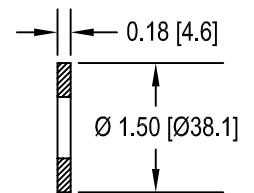


STRAIN RELIEF\*

## SPECIFICATIONS:

RATED OUTPUT	2 mV/V nom.
CAPACITY	40 Klb [178 kN]
SAFE OVERLOAD	150% of R.O.
ZERO BALANCE	$\pm 10\%$ of R.O.
EXCITATION (VDC OR VAC)	18 MAX
BRIDGE RESISTANCE	350 $\Omega$ nom.
TEMP. SHIFT ZERO	$\pm 0.02\%$ of R.O./ $^{\circ}F$ [0.036% of R.O./ $^{\circ}C$ ]
TEMP. SHIFT SPAN	$\pm 0.01\%$ of LOAD/ $^{\circ}F$ [0.018% of LOAD/ $^{\circ}C$ ]
COMPENSATED TEMP.	60 to 160 $^{\circ}F$ [15 to 72 $^{\circ}C$ ]
OPERATING TEMP.	-45 to 200 $^{\circ}F$ [-42 to 93 $^{\circ}C$ ]
MATERIAL	17-4 PH S.S. (BODY); 300 S.S. (OTHER METALS)
DEFLECTION	0.001 [0.03] nom.
BOLT SIZE	3/4 in.
CABLE: #29 AWG, 4 CONDUCTOR, SPIRAL SHIELDED TEFLON CABLE 10 ft [3 m] LONG	
ACCESORIES AND RELATED INSTRUMENTS AVAILABLE	
CALIBRATION (STD)	CERTIFICATE OF CONFORMANCE
CALIBRATION TEST EXCITATION	10 VDC
* PRODUCT MANUFACTURED AFTER S/N: 385981 ARE SUPPLIED W/ STRAIN RELIEF	

HARDENED WASHER  
ITEM# MCP00724



## WARNING !!

THIS PRODUCT IS SENSITIVE TO INSTALLATION, MOUNTING AND SURFACE FLATNESS. RESULTS WILL GREATLY VARY FROM INSTALLATION TO INSTALLATION. FOR IMPROVED PERFORMANCE PLEASE REFERENCE THE LTH (DONUT / THRU HOLE) PRODUCT LINE.

**FUTEK**  
ADVANCED SENSOR TECHNOLOGY, INC.

This drawing is submitted solely for the information and exclusive use of the original addressee. It is not to be divulged in whole or in part, by any firm or individual without written permission from FUTEK

10 THOMAS  
IRVINE, CA 92618 USA  
1-800-23-FUTEK (38835)

INTERNET:  
<http://www.futek.com>