

FUTEK MODEL LSB400

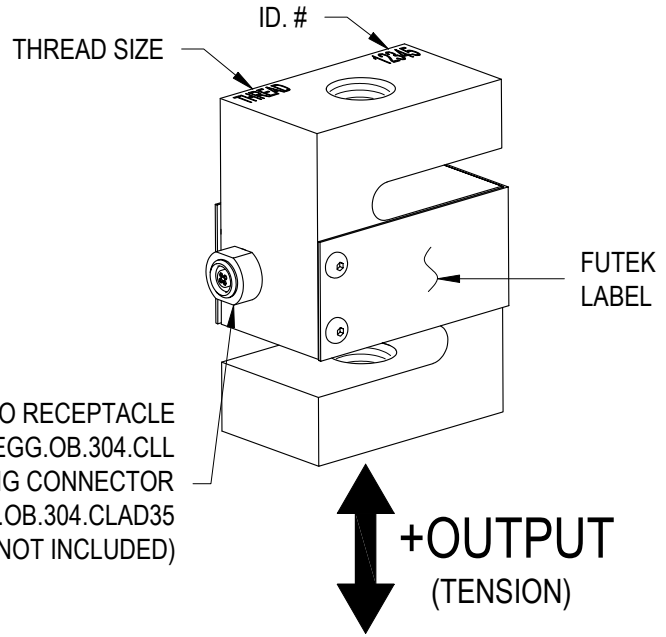
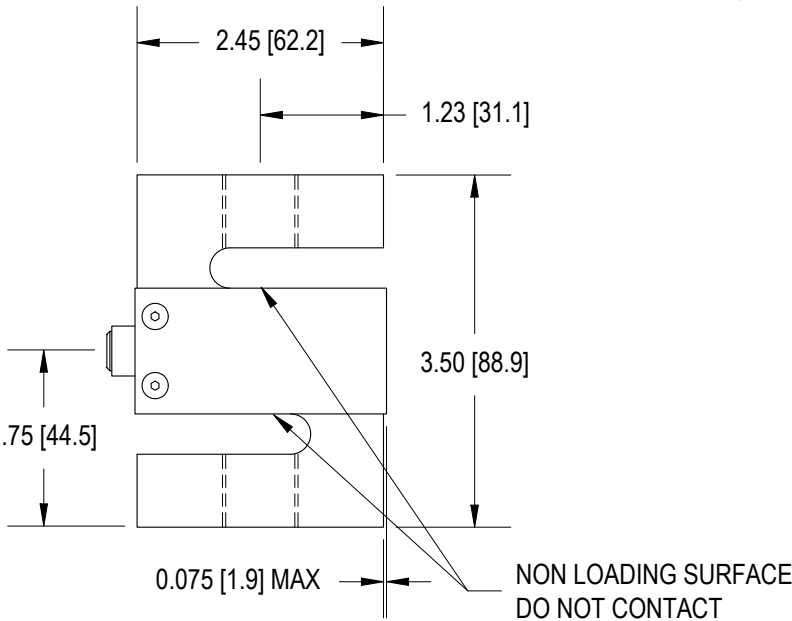
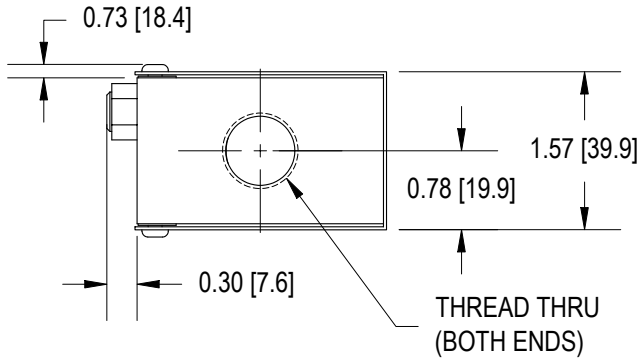
S-BEAM LOAD CELL IN TENSION AND COMPRESSION (PREVIOUSLY L2350/L2351)

Drawing Number: FI1074

INCH [mm] | R.O.= Rated Output

WIRING CODE (CC4)

+Excitation	-Excitation	+Signal	-Signal
RED	BLACK	GREEN	WHITE



#28 AWG, 6 Conductor PU Cable (5ft) Option

WIRING CODE (WC4)			
+Excitation	-Excitation	+Signal	-Signal
RED	BLACK	GREEN	WHITE
+Sense	-Sense	Shield	
ORANGE	BLUE	Grounded	

RETRACTIL PVC CABLE AVAILABLE, CONTACT FACTORY

SPECIFICATIONS:

- RATED OUTPUT** 2 mV/V nom.
- SAFE OVERLOAD** 150% of R.O.
- ZERO BALANCE** ±1% of R.O.
- EXCITATION (VDC OR VAC)** 20 MAX
- BRIDGE RESISTANCE** 350 Ω nom.
- NONLINEARITY** ±0.05% of R.O.
- HYSTERESIS** ±0.05% of R.O.
- NONREPEATABILITY** ±0.05% of R.O.
- CREEP** ±0.025% of LOAD
- TEMP. SHIFT ZERO** ±0.001% of R.O./°F [0.0018% of R.O./°C]
- TEMP. SHIFT SPAN** ±0.0008% of LOAD/°F [0.0014% of LOAD/°C]
- COMPENSATED TEMP.** 60 to 160°F [15 to 72°C]
- OPERATING TEMP.** -60 to 200°F [-50 to 93°C]
- WEIGHT** 53 oz [1500 g]
- MATERIAL** 17-4PH S.S.
- DEFLECTION** 0.003 to 0.010 [0.08 to 0.25] nom.
- CONNECTOR:** 4 Pin LEMO Receptacle (EGG.OB.304.CLL)
- ACCESSORIES AND RELATED INSTRUMENTS**
- CALIBRATION (STD)** 5 pt TENSION; 60.4 KΩ SHUNT CAL. VALUE
- CALIBRATION (AVAILABLE)** COMPRESSION
- CALIBRATION TEST EXCITATION** 10 VDC

STK#	CAPACITY lb	N	THREAD	CONNECTOR LEMO	CABLE
FSH00977	5000	22240	3/4-16	X	X
FSH02064				X	
FSH00976			X	X	
FSH01594					
FSH00979	10000	44480	3/4-16	X	X
FSH02066				X	
FSH00978			X	X	
FSH01516					