

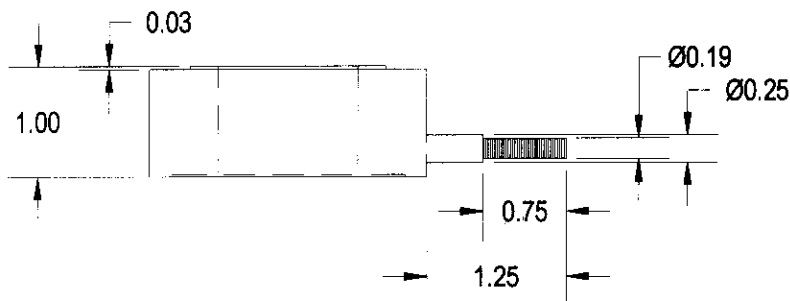
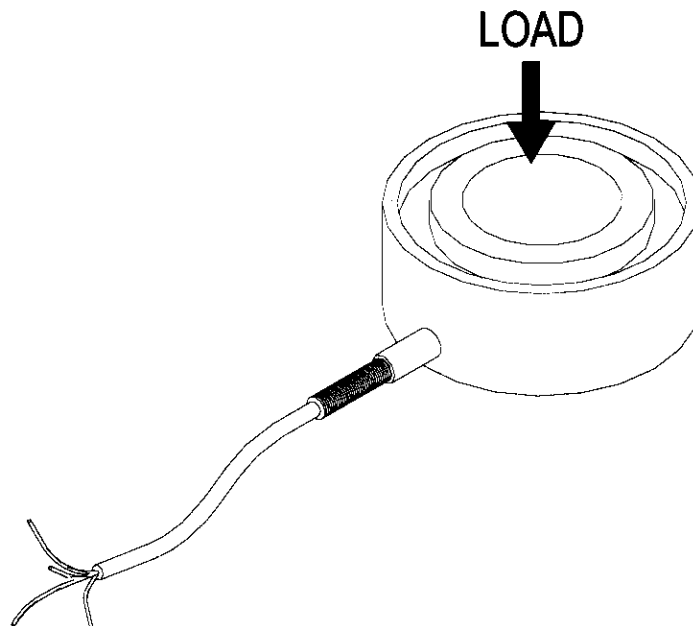
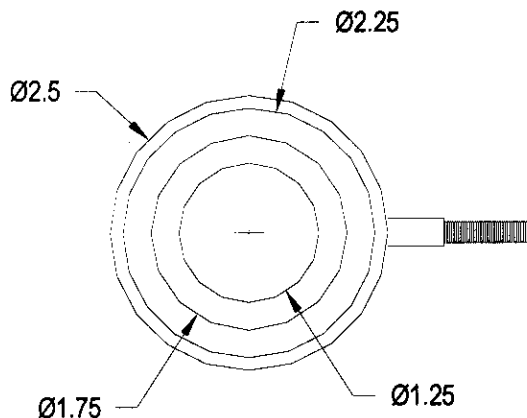
FUTEK MODEL Q07619

DONUT LOAD CELL

INCH (mm) | R.O.= Rated Output

WIRING CODE

+Excitation	-Excitation	+Signal	-Signal
RED	BLACK	GREEN/YELLOW	WHITE



SPECIFICATIONS:

RATED OUTPUT	2 mV/V nom.
CAPACITY	500 lb
SAFE OVERLOAD	150% of R.O.
ZERO BALANCE	2.0% of R.O.
EXCITATION (VDC OR VAC)	10 rec. 15 max.
BRIDGE RESISTANCE	350 Ω
NONLINEARITY	±1.0% of R.O.
HYSTERESIS	±1.0% of R.O.
NONREPEATABILITY	±0.1% of R.O.
TEMP. SHIFT ZERO	0.005% of R.O./°F (0.009% of R.O./°C)
TEMP. SHIFT SPAN	0.02% of LOAD/°F (0.036% of LOAD/°C)
COMPENSATED TEMP.	60 to 160°F (15 to 72°C)
OPERATING TEMP.	-65 to 250°F (-54 to 121°C)
CABLE	4 Conductor Teflon Shielded Cable 5 ft Long

MATERIAL:

—

HEAT TREATMENT - FINISH:

—

REVISIONS: (Refer to dwg # revision sheet)

▲ 12-17-98

OUTLINE DRAWING

STANDARD NOTES: (Unless Otherwise Specified)

- ALL DIMENSIONS ARE IN INCHES
- DRAWING INTERPRETATION DIMS. PER ASME-Y14.5M
- REMOVE BURRS AND BREAK SHARP EDGES .005 - .015
- THREADS PER HANDBOOK H-28
- DIMENSIONS ARE SHOWN AFTER PLATING

3rd ANGLE PROJ.



ANGLE:
±1/2°

CHAMFER:
±5°

TOLERANCE:
.XX ±.01
.XXX ±.005

This drawing is submitted solely for the information and exclusive use of the original addressee. It is not to be divulged in whole or in part, by any firm or individual without written permission from:

FUTEK
ADVANCED SENSOR TECHNOLOGY, INC.

10 THOMAS
IRVINE, CA 92618 USA
Phone: (949) 465-0900
Fax: (949) 465-0905

MODEL: **Q07619**

DWG No.: **F2504**

DRAWN BY: R. WALKER

CHECKED BY: R. WALKER

APPROVED BY: J. MOKHBERY

DATE: **Dec. 7, 1998**