

FUTEK MODEL TAT200

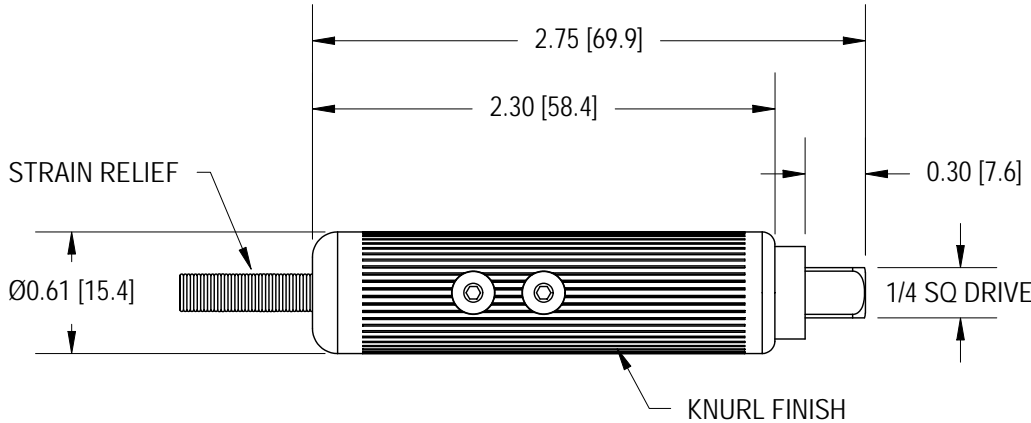
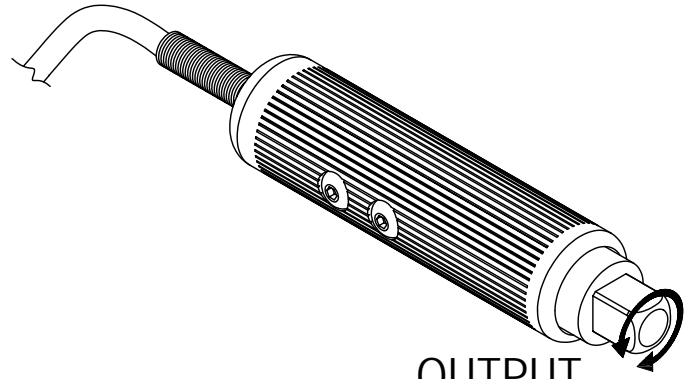
Reaction Torque Sensor – Miniature Screw Drive (Previously T5175)

Drawing Number: FI1141-A

INCH [mm] | R.O.= Rated Output

WIRING CODE (WC1)

+Excitation	-Excitation	+Signal	-Signal
RED	BLACK	GREEN	WHITE
Shield			
FLOATING			



SPECIFICATIONS:

RATED OUTPUT	1 mV/V (50 in-oz) 2 mV/V (100 in-oz) nom.
SAFE OVERLOAD	150% of R.O.
ZERO BALANCE	±3% of R.O.
EXCITATION (VDC OR VAC)	18 MAX
BRIDGE RESISTANCE	1000 Ω nom
NONLINEARITY	±0.2% of R.O.
HYSTERESIS	±0.2% of R.O.
NONREPEATABILITY	±0.1% of R.O.
TEMP. SHIFT ZERO	±0.02% of R.O./°F
TEMP. SHIFT SPAN	±0.02% of LOAD/°F
COMPENSATED TEMP.	60 to 160°F
OPERATING TEMP.	0 to 160°F
WEIGHT	3 oz (w/o adapter)
MATERIAL	ANODIZED ALUMINUM
CABLE: 28 AWG, 4 Conductor Braided Shielded PVC Cable, 10 ft Long	
ACCESSORIES AND RELATED INSTRUMENTS AVAILABLE	
CALIBRATION (STD)	5 pt. CW; 301KΩ (50 in-oz), 150KΩ SHUNT CAL VALUE
CALIBRATION TEST EXCITATION	10 VDC

STK#	CAPACITY	
	in-oz	N-m
FSH01679	50	0.35
FSH01680	100	0.71